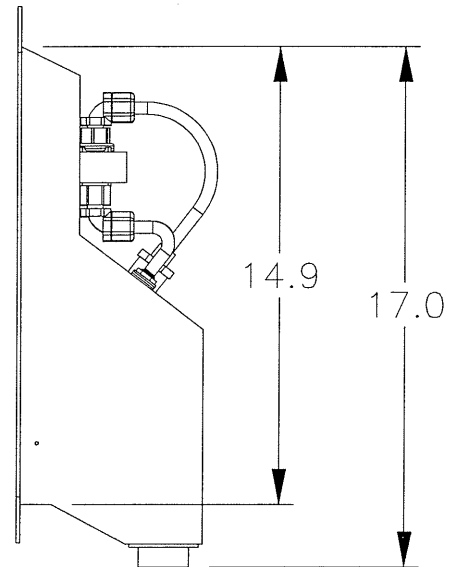
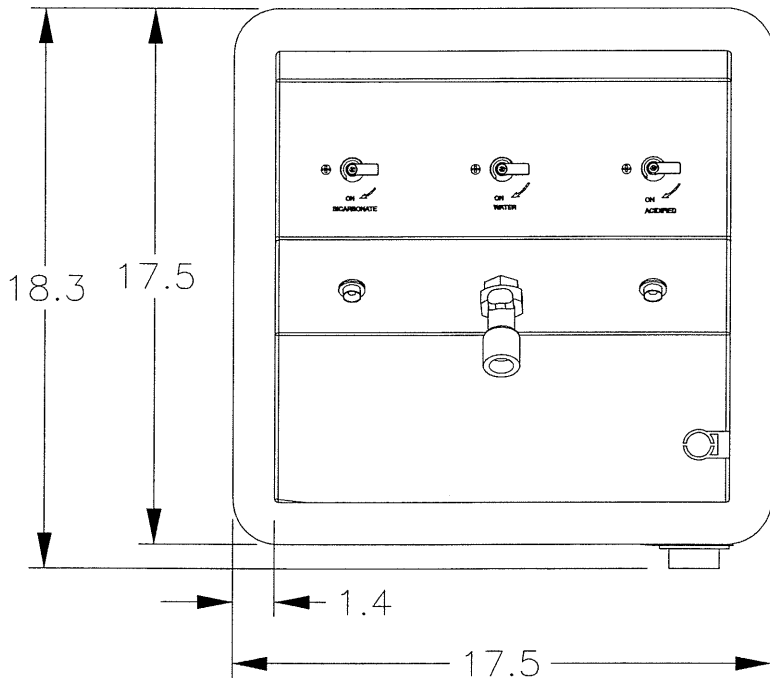
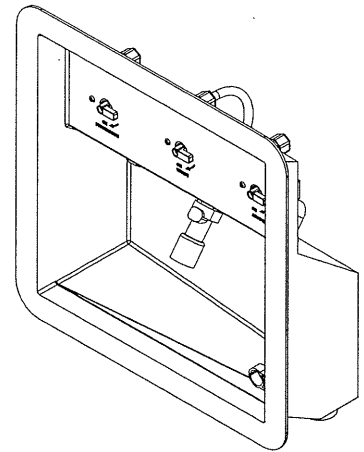
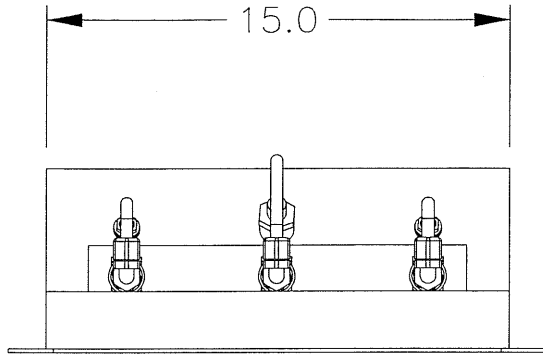


RECESSED PATIENT WALL STATION



MEDICAL SOLUTIONS INTERNATIONAL, INC.

11522 WEST 90TH STREET, SHAWNEE MISSION, KS 66214
 PH: 913-438-9700 FAX: 913-438-9701

| | | | |
|----------------------|------------------------|---------------------------------------|-----------|
| UNIT: W-RPWS-B111 | TITLE: WALL STATION | | |
| MATERIAL: N/A | SCALE: N/A | APPROVED BY: JACK R. DILLON | DRN: JLS |
| FINISH: N/A | DATE: 05/16/04 | NEXT ASSEMBLY N/A | REV: 1 |
| | | DOCUMENT # - | SHT OF |

Medical Solutions International, Inc. (MSI) PROPRIETARY
 This document and all information contained herein are the property of
 MSI, Inc., are provided in confidence, and may not be used, duplicated
 or disclosed to a third party, in whole or in part, without prior written
 permission of MSI, Inc. Copyright 2003 Medical Solutions Int., Inc.
 All rights reserved.

TOL UNLESS NOTED:
 .XX ±
 .XXX ±
 ANGLES ±