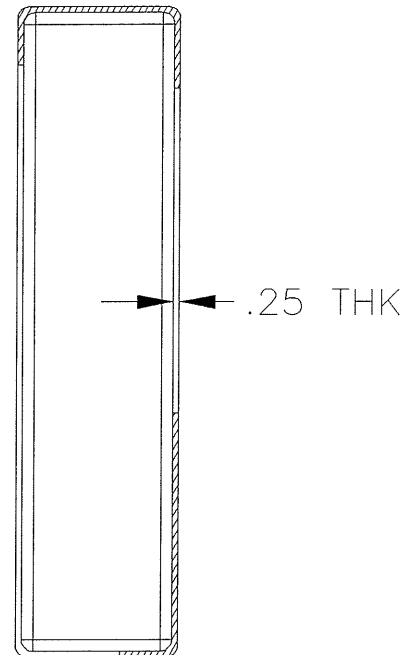
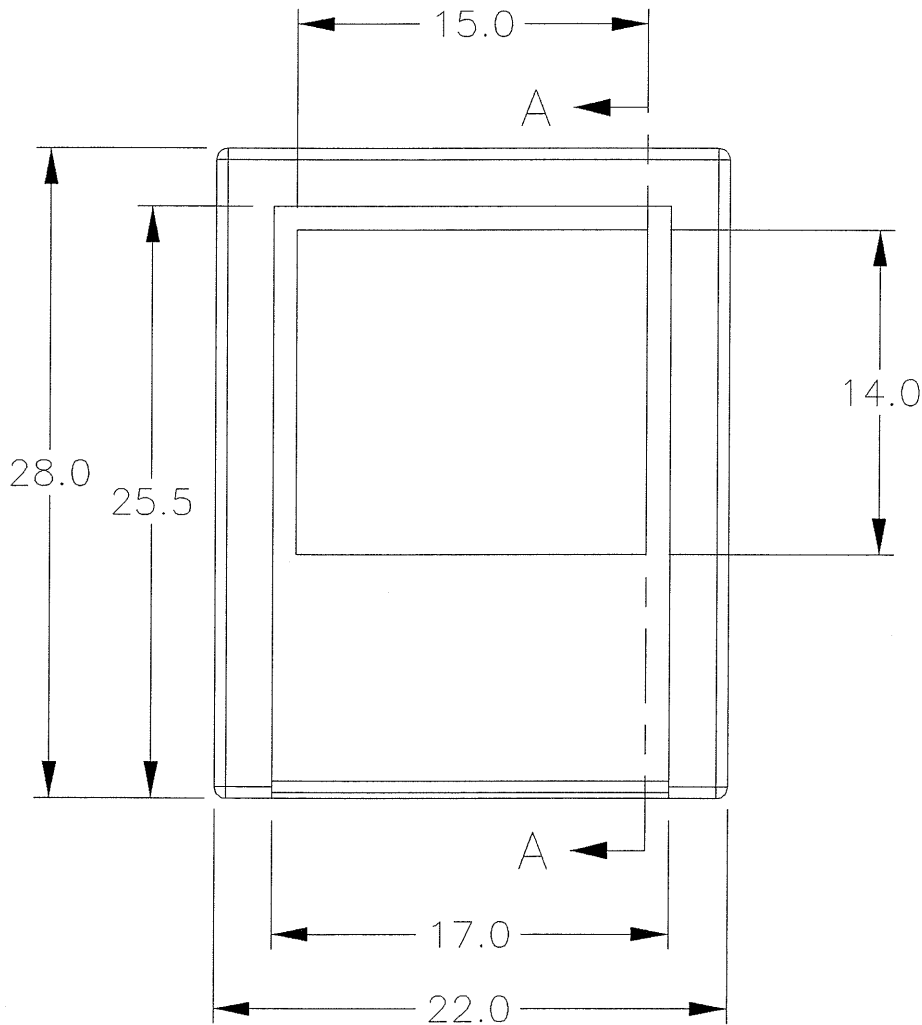
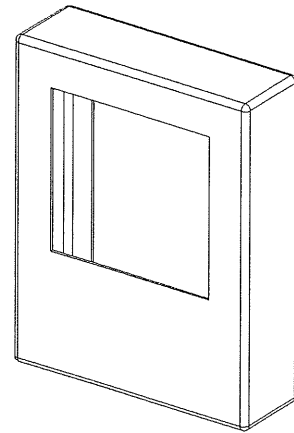
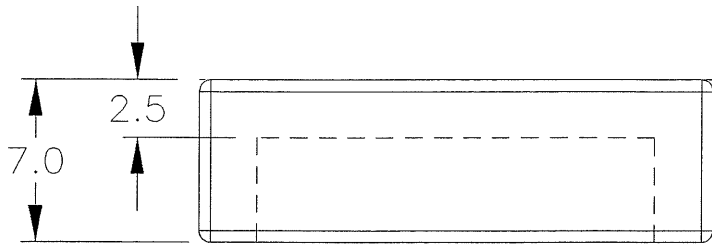


RECESSED WALL STATION CABINET



A - A

MEDICAL SOLUTIONS INTERNATIONAL, INC.

11522 WEST 90TH STREET, SHAWNEE MISSION, KS 66214
PH: 913-438-9700 FAX: 913-438-9701

PATENT APPLIED FOR

Medical Solutions International, Inc. (MSI) PROPRIETARY
This document and all information contained herein are the property of MSI, Inc., are provided in confidence, and may not be used, duplicated or disclosed to a third party, in whole or in part, without prior written permission of MSI, Inc. Copyright 2003 Medical Solutions Int., Inc. All rights reserved.

TOL UNLESS NOTED:
.XX ±
.XXX ±
ANGLES ±

UNIT: W-RPWS-	TITLE: WALL STATION		
MATERIAL: N/A	SCALE: N/A	APPROVED BY: JACK R. DILLON	DRN: JLS
FINISH: N/A	DATE: 06/27/04	NEXT ASSEMBLY N/A	REV: 1
		DOCUMENT # -	SHT OF