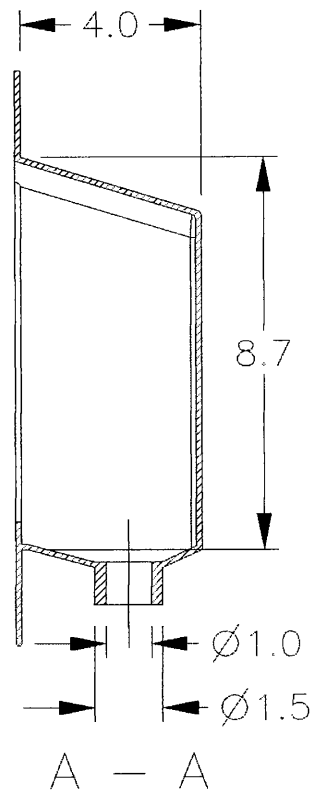
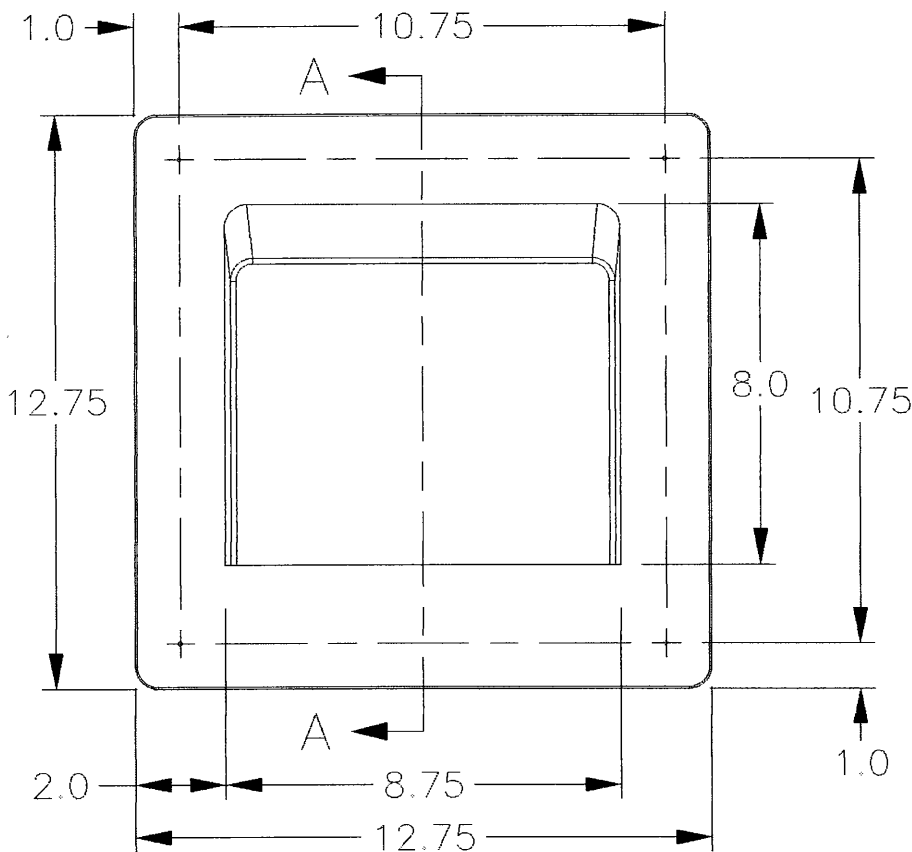
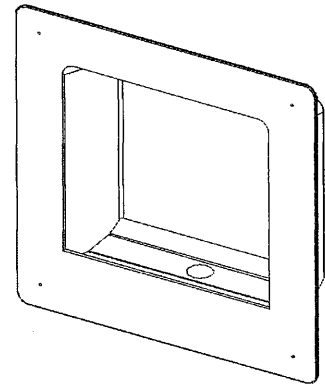
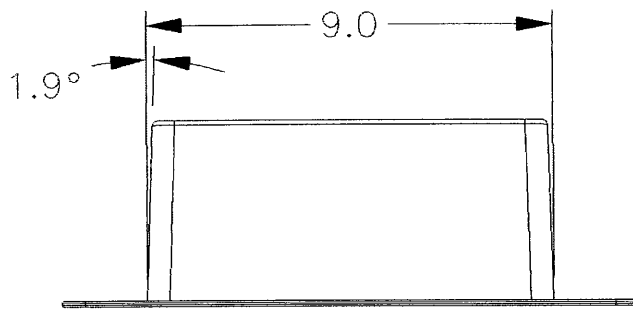


SMALL WHITE RECESSED PATIENT WALL STATION



MEDICAL SOLUTIONS INTERNATIONAL, INC.

11522 WEST 90TH STREET, SHAWNEE MISSION, KS 66214
PH: 913-438-9700 FAX: 913-438-9701

UNIT: W-RPWS-W000	TITLE: WALL STATION		
MATERIAL: N/A	SCALE: N/A	APPROVED BY: JACK R. DILLON	DRN: JLS
FINISH: N/A	DATE: 06/25/04	NEXT ASSEMBLY: N/A	REV: 1
TOL UNLESS NOTED: .XX ± .XXX ± ANGLES ±	DOCUMENT #	SHT OF	

Medical Solutions International, Inc. (MSI) PROPRIETARY
This document and all information contained herein are the property of MSI, Inc., are provided in confidence, and may not be used, duplicated or disclosed to a third party, in whole or in part, without prior written permission of MSI, Inc. Copyright 2003 Medical Solutions Int., Inc. All rights reserved.