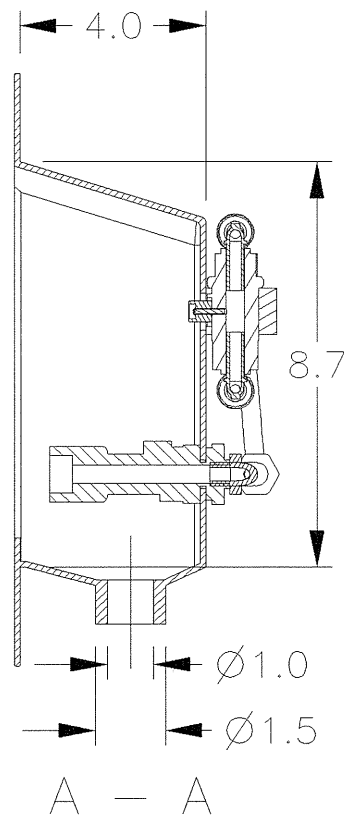
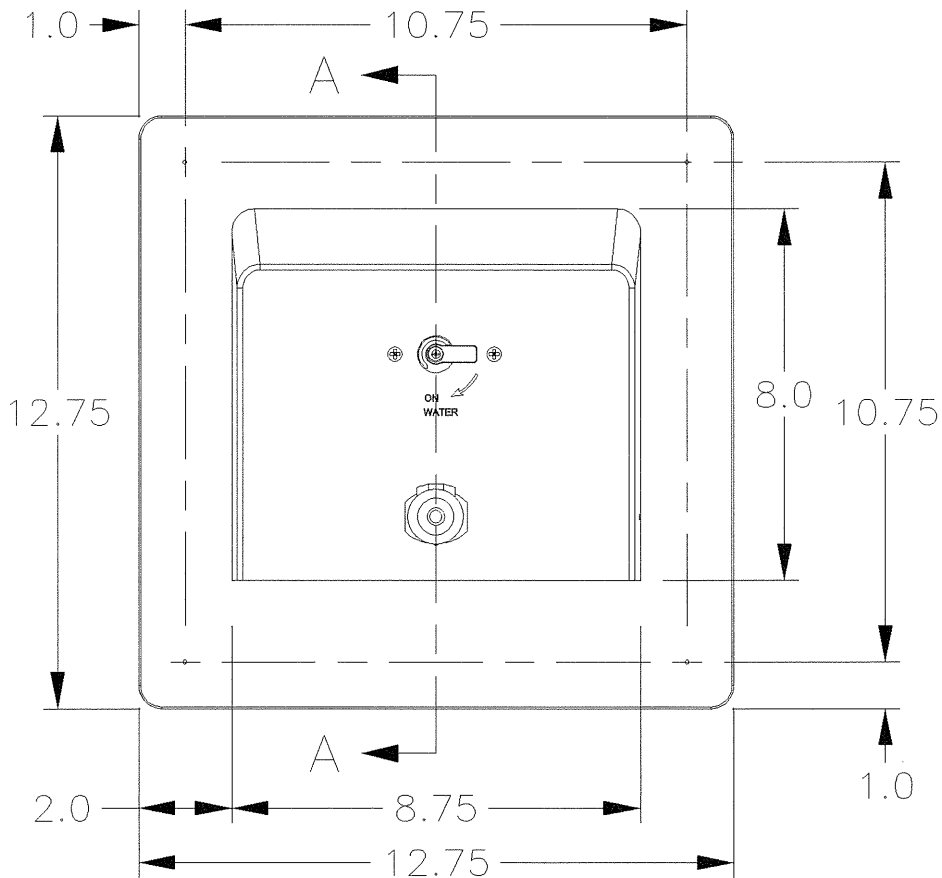
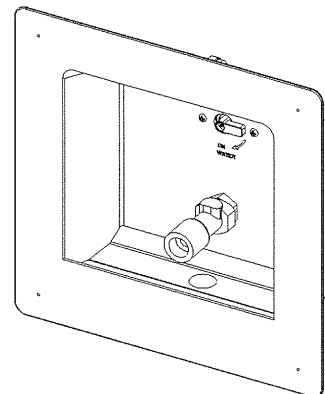
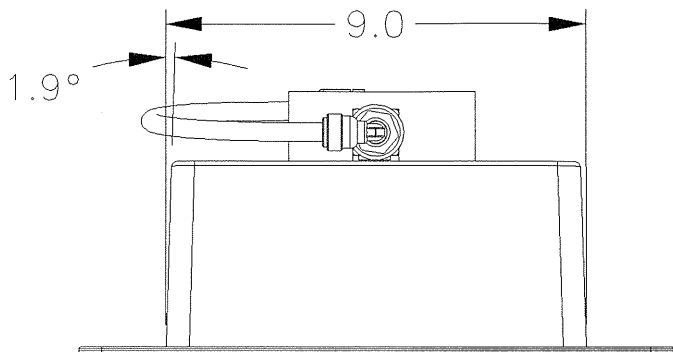


# SMALL WHITE RECESSED WALL STATION



MEDICAL SOLUTIONS INTERNATIONAL, INC.

11522 WEST 90TH STREET, SHAWNEE MISSION, KS 66214  
 PH: 913-438-9700 FAX: 913-438-9701

PATENT APPLIED FOR

Medical Solutions International, Inc. (MSI) PROPRIETARY  
 This document and all information contained herein are the property of  
 MSI, Inc., are provided in confidence, and may not be used, duplicated  
 or disclosed to a third party, in whole or in part, without prior written  
 permission of MSI, Inc. Copyright 2003 Medical Solutions Int., Inc.  
 All rights reserved.

TOL UNLESS NOTED:  
 .XX ±  
 .XXX ±  
 ANGLES ±

UNIT:  
 W-RPWS-W100  
 MATERIAL:  
 N/A  
 FINISH:  
 N/A

TITLE: WALL STATION

SCALE: N/A

DATE: 06/27/04

NEXT ASSEMBLY  
 N/A

APPROVED BY:  
**JACK R. DILLON**

DOCUMENT #  
 -

DRN: JLS

REV: 1

SHT  
 OF