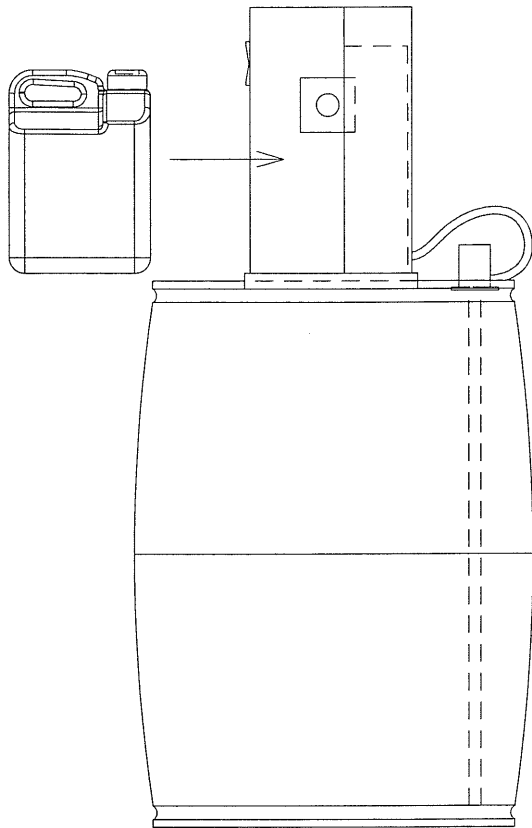


MR. ACID

AUTOMATIC JUG FILLING

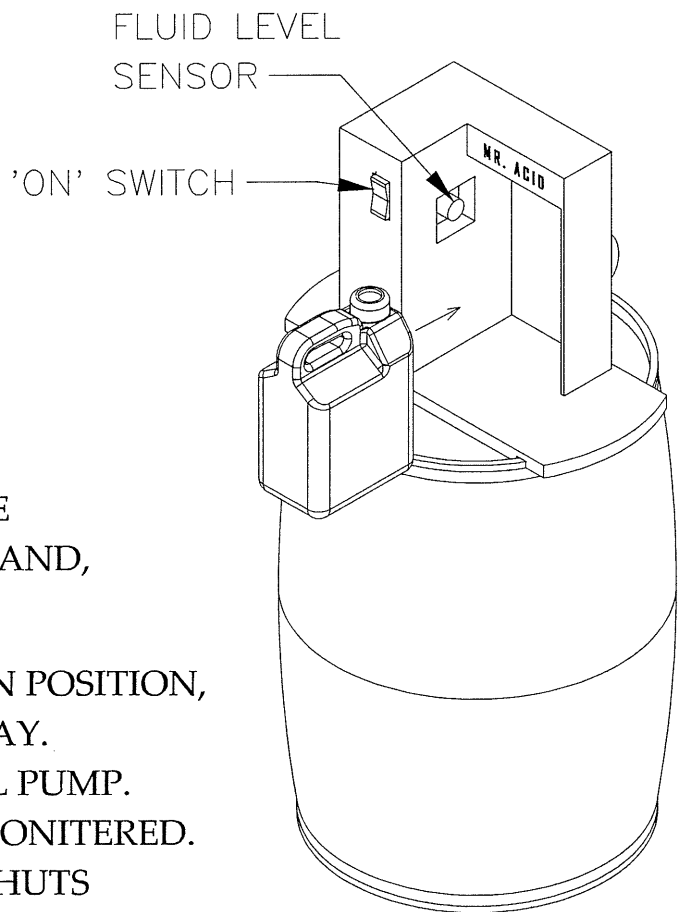


SIDE VIEW

3 EASY STEPS:

1. INSERT JUG
2. PUSH 'ON' SWITCH
3. REMOVE JUG

IT'S THAT SIMPLE!!!



THIS REVOLUTIONARY NEW DEVICE
MAKES JUG FILLING EASY, CLEAN AND,
MOST IMPORTANT, UN-ATTENDED.

PLACE THE EMPTY ACIDIFIED JUG IN POSITION,
PRESS THE SWITCH AND WALK AWAY.
MR. ACID TURNS ON THE INTERNAL PUMP.
THE ACID LEVEL IS CONSTANTLY MONITERED.
WHEN THE JUG IS FULL, MR. ACID SHUTS
OFF -- AUTOMATICALLY.

**NO SPILLS! NO MESS!
LESS THAN A MINUTE!**

MEDICAL SOLUTIONS INTERNATIONAL, INC.
11522 WEST 90TH STREET, SHAWNEE MISSION, KS 66214
PH: 913-438-9700 FAX: 913-438-9701

PATENT APPLIED FOR

Medical Solutions International, Inc. (MSI) PROPRIETARY
This document and all information contained herein are the property of
MSI, Inc., are provided in confidence, and may not be used, duplicated
or disclosed to a third party, in whole or in part, without prior written
permission of MSI, Inc. Copyright 2003 Medical Solutions Int., Inc.
All rights reserved.

TOL UNLESS NOTED:
.XX ±
.XXX ±
ANGLES ±

UNIT: ADU55	TITLE: AUTO JUG FILL UNIT		
MATERIAL: N/A	SCALE: NONE	APPROVED BY: JACK R. DILLON	DRN: JLS
FINISH: N/A	DATE: 07/29/03	DOCUMENT #	REV: -
	NEXT ASSEMBLY N/A	010-ADU55-002	SHT 1 OF 1