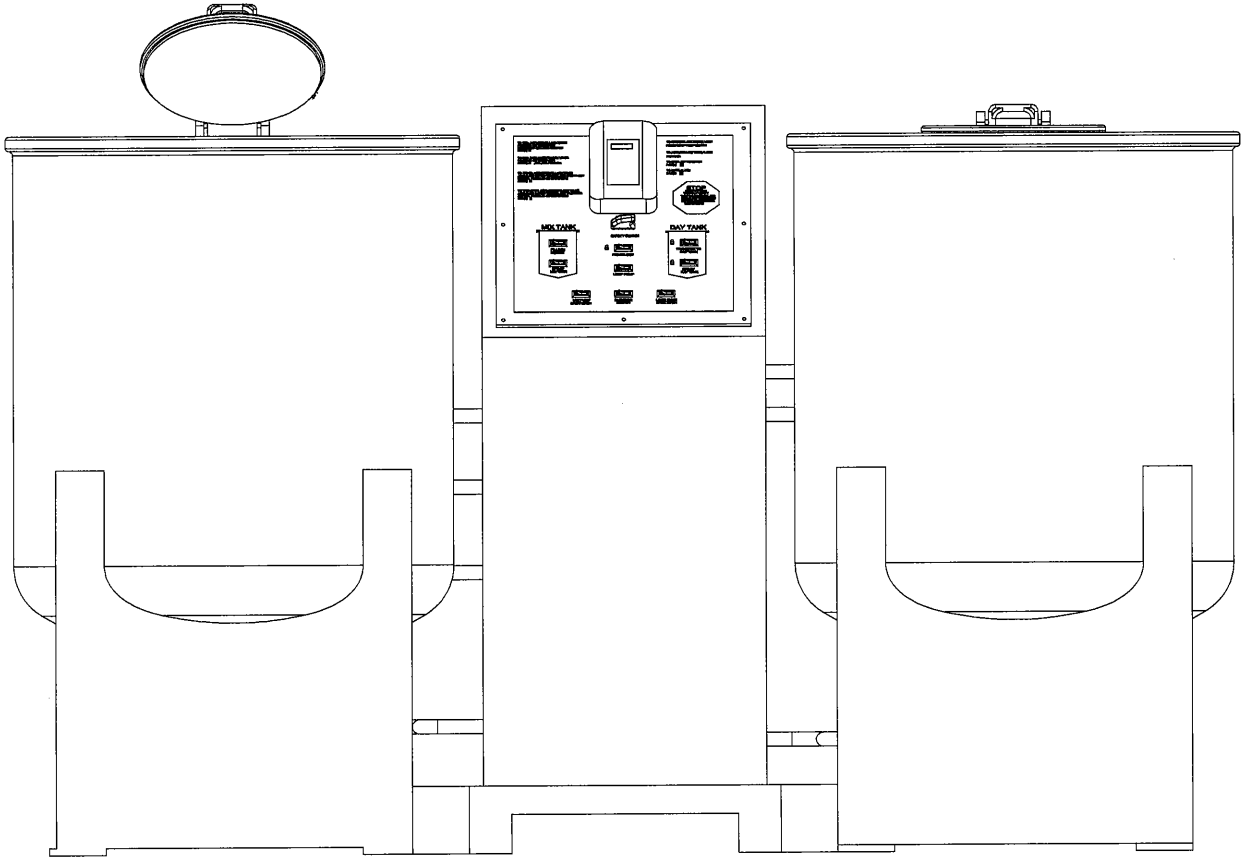
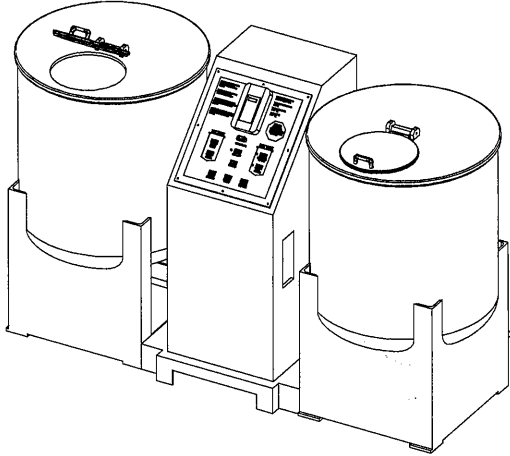


SDS-CB200



Front View



ISO View

Note:

- 1. Weight: 375lbs

MEDICAL SOLUTIONS INTERNATIONAL, INC.
 11522 WEST 90TH STREET, SHAWNEE MISSION, KS 66214
 PH: 913-438-9700 FAX: 913-438-9701

Medical Solutions International, Inc. (MSI) PROPRIETARY This document and all information contained herein are the property of MSI, Inc., are provided in confidence, and may not be used, duplicated or disclosed to a third party, in whole or in part, without prior written permission of MSI, Inc. Copyright 2003 Medical Solutions Int., Inc. All rights reserved.	TOL UNLESS NOTED:	UNIT: SDS-CB200 TITLE: BICARB MIX & DIST. SYSTEM		
	.XX ±	MATERIAL:	SCALE: N/A	
	.XXX ±	N/A	DATE: 9/24/03	APPROVED BY: JACK R. DILLON
	ANGLES ±	FINISH:	N/A	DRN: JLS
		N/A	REV: -	
		N/A	DOC #	
		N/A	020-SD200-0001	
			SHT 1	
			OF 1	